

# MODEL JR-S600

# SERVICE MANUAL

## SUPPLEMENT

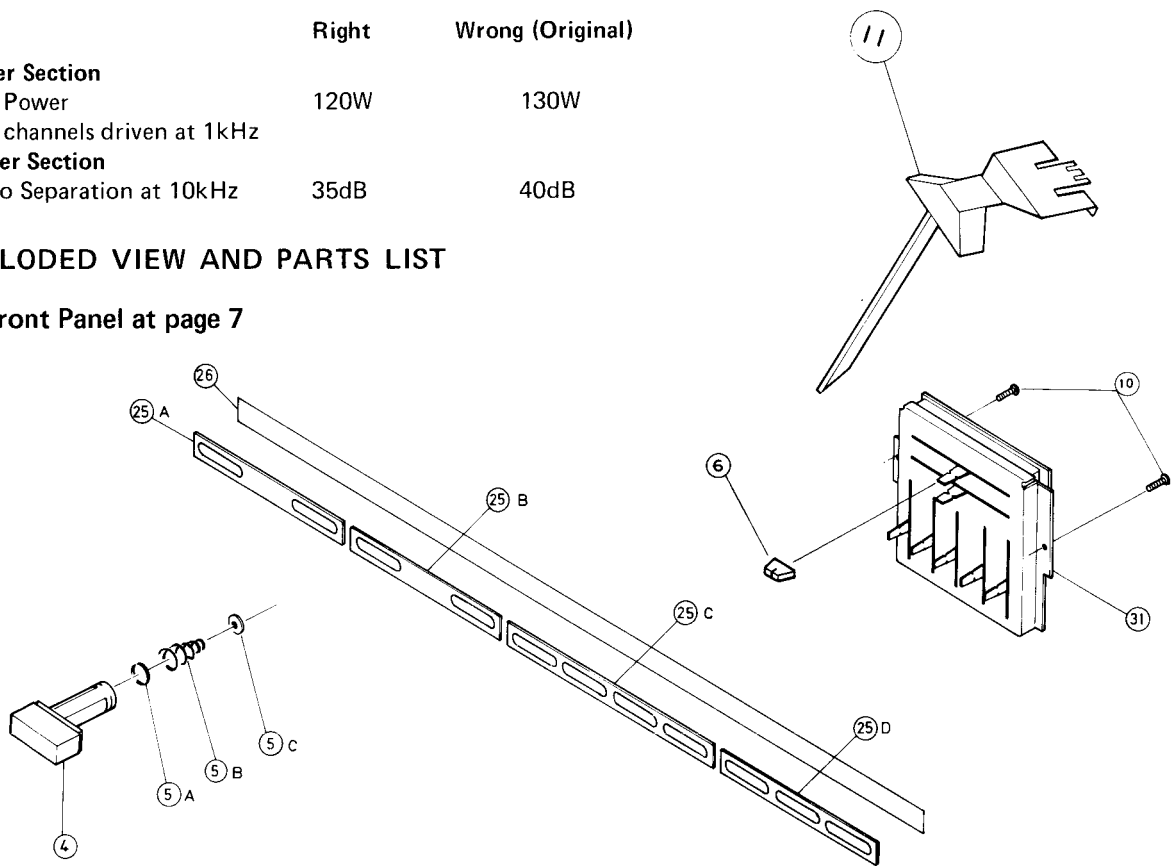
The listed part numbers have been changed for improvement.  
 This supplement comparatively draws the difference between original and new part number.  
 Use this supplement together with original service manual.

### 1. SPECIFICATIONS AT PAGE 2

	Right	Wrong (Original)
<b>Amplifier Section</b>		
RMS Power	120W	130W
Both channels driven at 1kHz		
<b>FM Tuner Section</b>		
Stereo Separation at 10kHz	35dB	40dB

### 5. EXPLODED VIEW AND PARTS LIST

#### 5-(1) Front Panel at page 7

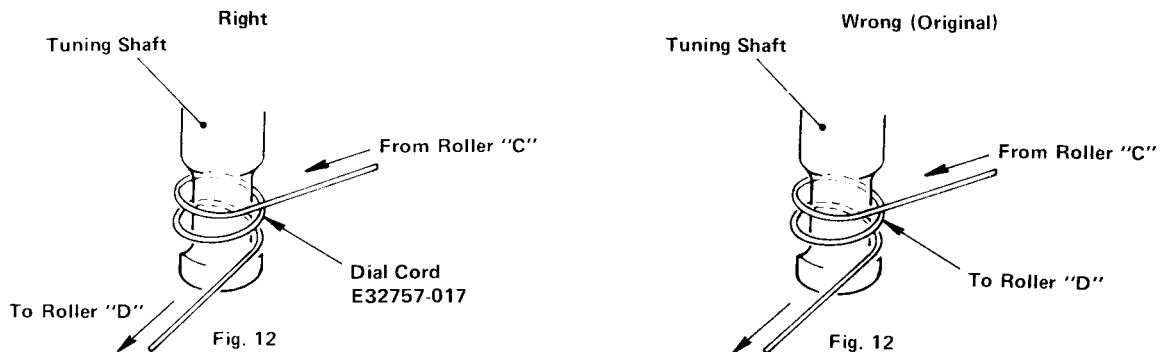


Item No.	New Part Number	Original	New Rating	Description
4	E61240-001	E60859-001		Pushbutton
5	—Delete—	E47794-002		Spring
5A	E47794-002	—Not Listed—		"C" Ring
5B	E60876-001	—Not Listed—		Coil Spring
5C	E61161-001	—Not Listed—		Spacer
6	E60880-002	E60886-001		Slide Knob (Volume & Balance)
11	E34422-002	E34422-001		Dial Pointer
25C	E34416-003	—Not Listed—		Indicator
25D	E34416-004	—Not Listed—		"

#### 5-(2) Rear Panel at page 8

Item No.	New Part Number	Original	New Rating	Description
* 10	QMP1700-244	QMP1600-244		Power Cord

## 6. DIAL STRINGING PROCEDURE AT PAGE 9



## 8. POWER AMP ADJUSTMENT PROCEDURES

### 8-(3) Power Meter at page 15

Correction:

- Turn R706 and R705 located on TAC-408 fully counterclockwise. Refer to Fig. 26.  
(Original: R706) (Original: clockwise)

## 9. CIRCUIT BOARD ASS'Y PARTS LIST

### 9-(1) TSC-34B Driver Amp. Base C.B. Ass'y at page 16

Other

Item No.	New Part Number	Original	New Rating	Description
	E21824-003	E21824-002		Heat Sink

### 9-(2) TSC-37B Driver Amp. Base C.B. Ass'y at page 17

Other

Item No.	New Part Number	Original	New Rating	Description
	E21824-003	E21824-002		Heat Sink

### 9-(3) TPS-47 Equalizer Power Supply C.B. Ass'y at page 18

Transistors

Item No.	New Part Number	Original	New Rating	Description
X806	–Delete–	2SC1775AV (F)	(300mW) (200MHz)	Silicon
X807	–Delete–	2SA872AV (D)	( " ) ( " )	"

Diode

Item No.	New Part Number	Original	New Rating	Description
D802	–Delete–	1S188FM		Germanium

Capacitors

Item No.	New Part Number	Original	New Rating	Description
C813	–Delete–	QEW40JA-227	(220 $\mu$ F) (63V)	Electrolytic
C814	–Delete–	QEW41CA-476	(47 $\mu$ F) (16V)	"

Resistors

Item No.	New Part Number	Original	New Rating	Description
R812	–Delete–	QRD141J-224	(220k $\Omega$ ) (1/4W)	Carbon
R813	–Delete–	QRD141J-823	(82k $\Omega$ ) ( " )	"

9-(8) TAE-118 Equalizer Amp. C.B. Ass'y at page 22

Coils

Item No.	New Part Number	Original	New Rating	Description
L301	-Delete-	E03522-180J	(18 $\mu$ H)	FM Detector
L302	-Delete-	E03522-180J	( " )	"
L303	-Delete-	E03522-180J	( " )	"
L304	-Delete-	E03522-180J	( " )	"

Capacitors

Item No.	New Part Number	Original	New Rating	Description	
C331	QCZ0107-473	QCF11HP-473	0.047 $\mu$ F	25V	Ceramic
C332	QCF11HP-473	-Not Listed-	"	50V	"

Resistors

Item No.	New Part Number	Original	New Rating	Description	
R301	QRD141J-102SL	-Not Listed-	1k $\Omega$	1/4W	Carbon
R302	QRD141J-102SL	-Not Listed-	"	"	"
R303	QRD141J-102SL	-Not Listed-	"	"	"
R304	QRD141J-102SL	-Not Listed-	"	"	"
R347	QRZ0019-224	QRZ0019-155	220k $\Omega$	"	"
R348	QRZ0019-224	-Not Listed-	"	"	"
R349	QRZ0019-333	-Not Listed-	33k $\Omega$	"	"
R350	QRZ0019-333	-Not Listed-	"	"	"

Others

Item No.	New Part Number	Original	New Rating	Description
	E03628-9UD	E03628-009		9 Pins Plug
	E03628-5UD	E03628-5		5 Pins Plug

9-(9) TAD-169B Driver Amp. C.B. Ass'y at page 25

Capacitors

Item No.	New Part Number	Original	New Rating	Description	
C501	QEW41CA-477	QEW41EA-227	470 $\mu$ F	16V	Electrolytic
C502	QEW41CA-477	QEW41EA-227	"	"	"

Resistors

Item No.	New Part Number	Original	New Rating	Description	
R427	QRD181J-432	QRD141J-392	4.3k $\Omega$	1/8W	Carbon
R457	QRM054K-R47	QRM054K-1R0	0.47 $\Omega$	5W	Metal Plate
R459	QRM054K-R47	QRM054K-1R0	"	"	"
R465	QRM054K-R47	QRM054K-1R0	"	"	"
R467	QRM054K-R47	QRM054K-1R0	"	"	"
R509	QRD141J-103	QRD141J-333	10k $\Omega$	1/4W	Carbon
R510	QRD141J-103	QRD141J-333	"	"	"
R513	QRD141J-222	QRD141J-103	2.2k $\Omega$	"	"
R518	QRD141J-224	QRD141J-184	220k $\Omega$	"	"
R525	QRD126J-630	QRG027J-470	63 $\Omega$	1/2W	Uninflammable Carbon
R528	QRD141J-152	QRD141J-102	1.5k $\Omega$	1/4W	Carbon
R529	QRD141J-392	QRD141J-123	3.9k $\Omega$	"	"

9-(10) TAD-174 Driver Amp. C.B. Ass'y at page 28

Capacitor

Item No.	New Part Number	Original	New Rating		Description
C838	QEW41HA-226	QEW41HA-106	22 $\mu$ F	50V	Electrolytic

Resistors

Item No.	New Part Number	Original	New Rating		Description
R428	QRD181J-432	QRD141J-392	4.3k $\Omega$	1/8W	Carbon
R458	QRM054K-R47	QRM054K-1R0	0.47 $\Omega$	5W	Metal Plate
R460	QRM054K-R47	QRM054K-1R0	"	"	"
R466	QRM054K-R47	QRM054K-1R0	"	"	"
R468	QRM054K-R47	QRM054K-1R0	"	"	"

9-(12) TAC-405 FM Noise Reduction C.B. Ass'y at page 33

Capacitor

Item No.	New Part Number	Original	New Rating		Description
C208	QFM41HK-104	QFM41JK-104	0.1 $\mu$ F	50V	Mylar

Resistors (Correction: Title "Transistors" should be "Resistors")

Item No.	New Part Number	Original	New Rating		Description
R239	QRD181J-184	QRD181J-154	180k $\Omega$	1/8W	Carbon
R240	QRD181J-184	QRD181J-154	"	"	"
R245	QRD181J-561	QRD181J-681	560 $\Omega$	"	"
R246	QRD181J-561	QRD181J-681	"	"	"

9-(13) TAC-406 S.E.A. Amp. C.B. Ass'y at page 38

Others

Item No.	New Part Number	Original	New Rating		Description
	E03628-7UD	E03628-7			7 Pins Plug
	E03628-9UD	E03628-9			9 Pins Plug

9-(14) TAC-407 Selector C.B. Ass'y at page 41

Resistor

Item No.	New Part Number	Original	New Rating		Description
R738	QRD141J-182	-Not Listed-	1.8k $\Omega$	1/4W	Carbon

Others

Item No.	New Part Number	Original	New Rating		Description
	E03628-3UD	E03628-3			3 Pins Plug
	E03628-5UD	E03628-5			5 Pins Plug
	E03628-7UD	E03628-7			7 Pins Plug
	E03628-9UD	E03628-9			9 Pins Plug

9-(15) TAC-408 Speaker C.B. Ass'y at page 42

Diodes

Item No.	New Part Number	Original	New Rating		Description
D701	1S2473F	1S188FM			Silicon
D702	1S2473F	1S188FM			"
D703	1S2473F	1S188FM			"
D704	1S2473F	1S188FM			"
D705	-Delete-	1S188FM			Germanium
D706	-Delete-	1S188FM			"

Capacitors

Item No.	New Part Number	Original	New Rating		Description
C701	QFM41HJ-562	QFM41HK-223	5600pF	50V	Mylar
C702	QFM41HJ-562	QFM41HK-223	"	"	"

Resistors

Item No.	New Part Number	Original	New Rating		Description
R703	QRD141J-103	-Not Listed-	10k $\Omega$	1/4W	Carbon
R704	QRD141J-103	-Not Listed-	"	"	"
R705	QVP4A0B-222	-Not Listed-	2.2k $\Omega$ (B)		Variable
R706	QVP4A0B-222	-Not Listed-	"		"
R707	QRD141J-821	-Not Listed-	820 $\Omega$	1/4W	Carbon
R708	QRD141J-821	-Not Listed-	"	"	"

9-(16) TFM-910GUA2 FM/AM Tuner C.B. Ass'y at page 43

Integrated Circuits

Item No.	New Part Number	Original	New Rating	Description
IC104	HA1197	HA1197W		I.C.

Coil

Item No.	New Part Number	Original	New Rating	Description
L108	E03522-220J	E03522-180J	22 $\mu$ H	FM Detector Coil

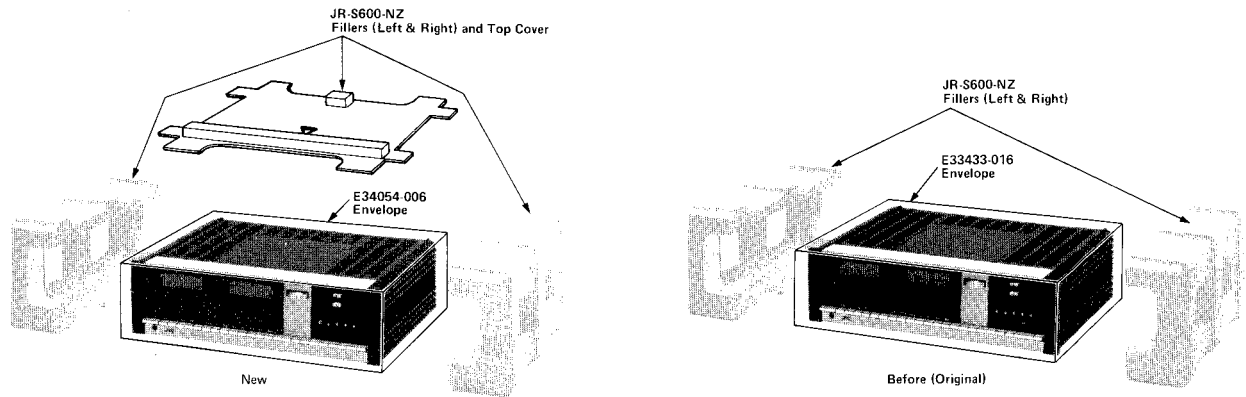
Capacitors

Item No.	New Part Number	Original	New Rating		Description
C113	QCT05CG-220	QCT05SG-220	22pF	50V	Ceramic
C182	QCS11HJ-5R0	-Not Listed-	5pF	"	"

Resistors

Item No.	New Part Number	Original	New Rating		Description
R138	QRD181J-752	QRD181J-822	7.5k $\Omega$	1/8W	Carbon
R144	QRD181J-332	-Not Listed-	3.3k $\Omega$	"	"

## 10. PACKING MATERIALS LIST



## 14. PARTS LIST WITH SPECIFIED NUMBERS FOR DESIGNATED AREAS AT PAGE 52

Page	Item No.	Description	Original	For Sweden Denmark Norway Finland and Switzerland	For European countries except Sweden Denmark Norway Finland and Switzerland	For Australia	For Canada	For Other countries and PACEX
8	32	Power Switch	QSU1135-001	<b>QSP2111-011</b>	QSU1135-001	<b>QSP2111-011</b>	QSU1135-001	QSU1135-001
		Bracket (Power Switch)	E60860-002	E60860-003	E60860-002	E60860-003	E60860-002	E60860-002
8	10	Power Cord	QMP1700-244	QMP3800-240 (Switzerland) E03544-001 (Other coun- tries listed above)	QMP1700-244	E03551-002	QMP1700-244	QMP1700-244
8	9	Cord Stopper	QHS3876-162	QHS3876-162	QHS3876-162	QHS6374-252	QHS3876-162	QHS3876-162
20		Fuse (Primary)	QMF61M2-100	QMF51A2-5R0	QMF60R1-5R0	QMF51A2-5R0	QMF60R1-100	QMF60R1-100 QMF60R1-5R0 (For AC 220V & AC 240V only)
20		Fuse (Secondary) 8A or 10A 2A or 1.8A 0.5A	QMF61M2-8R0 QMF61U1-2R0 QMF61U2-R50	<b>QMF0003-100</b> QMF51A2-2R0 QMF51A2-R50	QMF60R1-8R0 QMF60R1-1R8 QMF60R1-R50	<b>QMF51A2-8R0</b> QMF51A2-2R0 QMF51A2-R50	QMF60R1-8R0 QMF60R1-1R8 QMF60R1-R50	QMF60R1-8R0 QMF60R1-1R8 QMF60R1-R50
6		Power Transformer	E03617-7	E03617-7B	E03617-7B	E03617-7B	E03617-7	E03617-7B
20		AC Block Ass'y	TPS-48	<b>TPS-64</b>	TPS-48B	<b>TPS-64</b>	TPS-48	TPS-48B
19		AC Fuse C.B. Ass'y	TPS-49	TPS-49E	TPS-49	TPS-49B	TPS-49	TPS-49
48		Warranty Card	BT20020C			BT20029	BT20025	BT20014B (PACEX)

Note: The number in   is for New part number, others are same as original.

# JVC

VICTOR COMPANY OF JAPAN, LIMITED, TOKYO, JAPAN